

RacloFlex 



Pilot scraper / segmented with
automatic pressure

100% COMPATIBLE WITH
SUPER-SCREW® / ISC® / FIX'N GO®

WHY CHOOSE THE RACLOFLEX VP ?

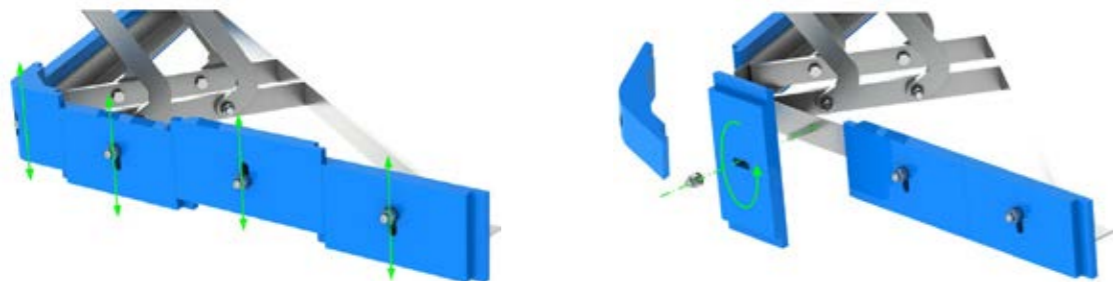
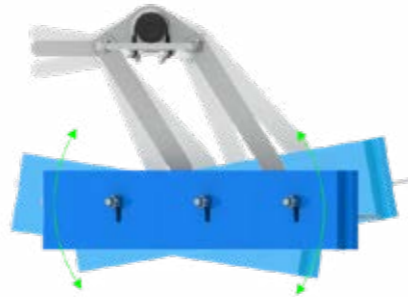
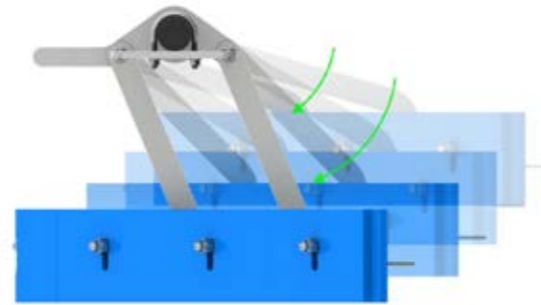
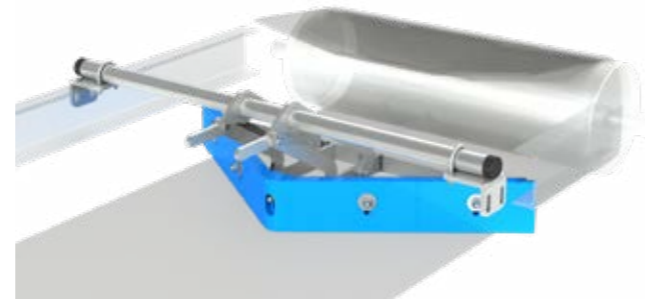
High performance system and optimized life expectancy

+ An articulated system that adapts to dangerous situations

The articulated parallelogram support keeps permanent contact with the belt no matter the wear level of the blade and makes it possible to raise in case of danger.

The **RacloFlex VP** blade is made of high resistance polyurethane modules* which are adjustable in height, reversible at 180° (double sided) and replaceable independently for a reasonable price.

* abrasion index 25mm3 svt DIN53516/10N



ADVANTAGES

- Easy installation
- Easy setting
- Fast change
- Space saving
- Innovating design
- Reduced scraping pressure
- Easy modules change
- Security by automatic removal
- Compatible with different products
- Angle adjustment for pressure distribution of the blade between top and sides

+ OPTIONS, ACCESSORIES AND VERSIONS



Shifting ring
Enables to cut and weld the support tube to shift the blade with respect to the support



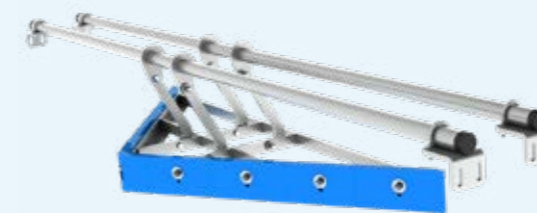
Special «MultiTool key»
Gathers all the necessary functions for the manipulation and settings of the scraper.

+ General information for the RacloFlex VP

Quality of blade(s) :	Wear resistant polyurethane : 25mm3 svt DIN53516-10N									
Working position :	Oriented blade «pilot» behind support axle									
Surface treatment :	All galvanised metal piece + Stainless steel hardware									
Temperature :	-15° / + 50° C									
Scale of pH :	3 to 11									
Maximum speed :	VP = 3 m/s 1 way VP-HD = 5m/s 1 way									
Do not expose to :	Double way belt : use the RacloFlex DP Hot water vapor : special quality available Corrosive environment : All or part stainless steel available Uncontrolled clogging on entire scraper									

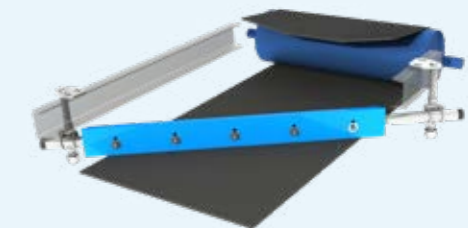
Belt, mm	500	650	800	1000	1200	1400	1600	1800	2000	2200
Scraping width VP, mm	550	685	950	1070	1320	1455				
Scraping width VP-HD, mm					1320	1455	1670	1840	2055	2230

+ RacloFlex VP-HD



Reinforced version **RacloFlex VP-HD** is suggested for 1200 to 2200 belts ; Doubled support tube and reinforced structure

+ Solution for two-way belts : RacloFlex DP





RacloFlex



MLT Conveyor Solutions Expert

More than 70 years of innovation
at your service



MLT GROUP

Conveyor Solutions Expert

www.mltgroup-conveyor.com - info@mltgroup-conveyor.com

VP-21/11/2022